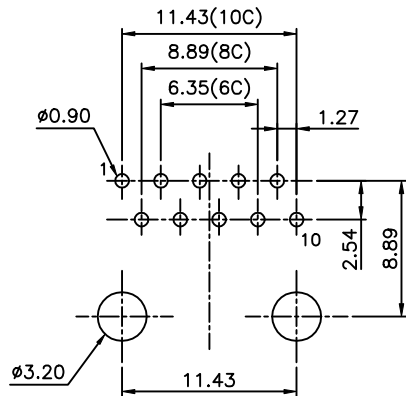
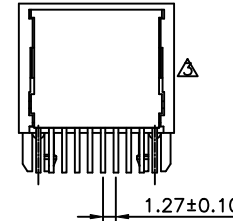
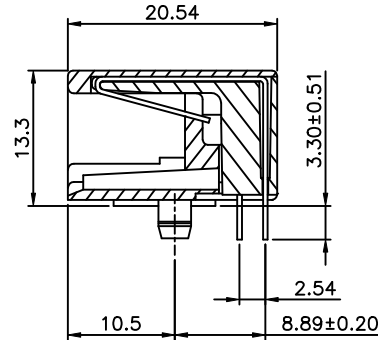
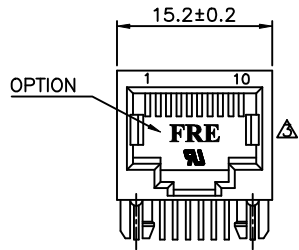
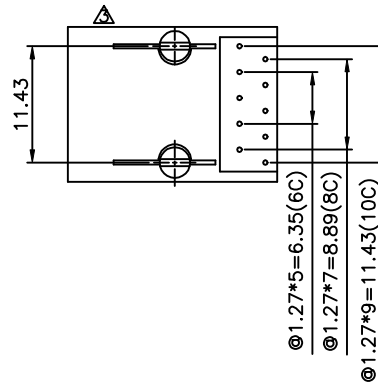


REVISION RECORD				
REV	ECO	DESCRIPTION	DRFT	CHKD
△		ADD P/N	HAGQIN 7/20/05	
△		ADD P/N	HAGQIN 8/28/05	
△		DRAWING MODIFY	HAGQIN 8/30/05	



PC Board t=1.60mm  
Component Side Shown



**NOTES:**

ELECTRICAL:

1. VOLTAGE RATING : 125 VAC RMS.
2. CURRENT RATING : 1.5 AMP.
3. CONTACT RESISTANCE : 45 MILLIOHMS MAX.
4. INSULATION RESISTANCE : 1000 MEGOHMS MIN @ 500 VDC.
5. DIELECTRIC STRENGTH : 1000 VAC RMS 60Hz, 1MIN.

MECHANICAL:

1. HOUSING MATERIAL : FR52 UL94V-0.
- △ 2. HOUSING COLOUR : BK OR BLUE OR YL.
3. CONTACT MATERIAL : PHOSPHOR BRONZE Ø0.46mm.
4. PLATING : GOLD PLATING OVER NICKEL.
5. OPERATING LIFE : 750 CYCLES MIN.
6. PCB RETENTION PRE-SOLDER : 1 LB MIN.
7. PCB RETENTION POST-SOLDER : 10 LBS MIN.

ENVIRONMENTAL:

1. STORAGE : -40°C TO +85°C.
2. OPERATION : 0°C TO 70°C.
3. WAVE SOLDERING TEMPERATURE: 255~265°C (5~10 SECONDS)

MATES WITH MODULAR PLUG CONFORMING TO  
FCC PART 68, SUBPART F.

UL & CUL FILE NO. E163191

ROHS PART NUMBER: E590X-000XXX-L

1-10C  
8-8C  
6-6C

1- 3u" 2- 6u"  
3-15u" 4-30u"  
5-50u" 6-Pd 20u"

32- COLOUR: BK FR52 W/O PANEL STOP

△ L5- COLOUR: BLUE FR52 W/O PANEL STOP

△ L8- COLOUR: PANTONE 114C YL FR52 W/O PANEL STOP

DETACHED LISTS	MM (INCH)	DFTO YICAN	DATE 03/26/05	FULL RISE ELECTRONIC CO., LTD	
	TOLERANCES EXCEPT AS NOTED	CHKD	DATE		
	MM	MFO	DATE	TITLE 20.57 PCB JACK 10P	
	.0 ±0.2 ±	APPLV LUBING	DATE		
.00 ±0.15 ±	MATERIAL :	DRAWING NO. GE593062-LA		SIZE	REV
.000 ±0.075 ±	QT'Y :	/PART NO. SEE NOTE		A3	8/30/05
ANGLES ± 0.5	FINISH :	DO NOT SCALE DRAWING		SHEET	OF
THIRD ANGLE PROJECTION	SCALE : 2 : 1				